



### CHARACTERISTICS

- Matte finish
- Hydrophobic
- Anti-yellowing
- Anti-contamination

### LAYER DESCRIPTIONS

#### Top Coat

Hydrophobic and matte texture

#### Base Film

Thermoplastic polyurethane (TPU)

#### Adhesive

For easy installation

#### Liner/RF

Silicone-based liner

### APPLICATIONS

For automotive use (other uses may apply).

### APPLICATION SURFACE

Intended for interior application on both flat and curved automotive glazing.

### APPLICATION METHOD

Window films are to be professionally applied by skilled, well-trained, and authorized installers.

# Technical Data Sheet

## PRODUCT DESCRIPTION

FORCESHIELD Matte offers top-tier protection for your vehicle while delivering a distinctive matte look. Perfect for car service centers seeking high-quality, affordable solutions, this film provides an invisible shield against scratches, swirl marks, and other damage.

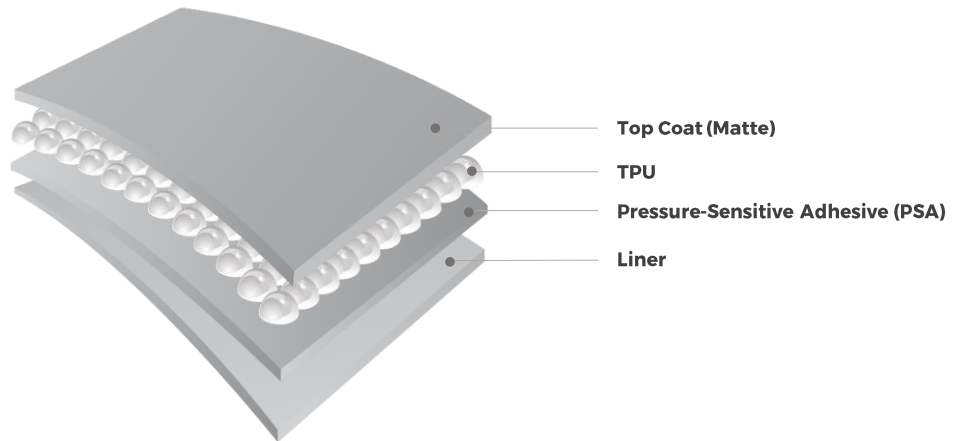
## STORAGE INSTRUCTIONS

Recommended Temperature Range: 20±2 °C (68±2 °F)

Recommended Relative Humidity: 40-60%

Avoid extreme temperature ranges in storage. Store the product in its original packaging in a horizontal orientation, away from direct sunlight. Do not place heavy objects on top of the packaging, as this may damage the product.

## LAYER STRUCTURE



## PROPERTIES

<b>Thickness</b>	190 ± 10 $\mu$ m
<b>Gloss</b>	<20 Gu
<b>Self-Healing</b>	Good
<b>Coating Layer Crack</b>	60 ± 10 mm
<b>Adhesion (30 min)</b>	1,600 ± 400 gf/inch
<b>Adhesion (24 hrs)</b>	2,000 ± 500 gf/inch
<b>Hydrophobicity</b>	Hydrophobic
<b>Weathering</b>	No change 6500 W Xenon Arc Irradiance: 0.51 W/m <sup>2</sup> (340 nm), 65° C Humidity: 50%, R.H. 1000 hrs

**PACKAGE DIMENSIONS****Box Dimensions**

60": 1630 x 185 x 180 (mm)

# Technical Data Sheet

**ROLL CONFIGURATIONS**

---

**60 in x 50 ft**15m (1524 ±2mm)

---

**NOTES**

All data have been collected by STEK Automotive through internal testing standards and methods. Results may differ when using other testing standards.

Reported values are expected properties and should not be used for product certification.

The provided technical information consists of representative product data and should not be used for specification purposes. Unless otherwise noted, all tests are performed at room temperature.

All concerns regarding warranty and liability are subject to the terms and conditions of sale. When applicable, these terms and conditions are governed by prevailing laws.

Prior to application, the user must determine the suitability of the product for its intended use, and assumes all risk and liability therein.

**WARRANTY****10-year warranty**

Only applicable in the case of proper handling and use. Terms and conditions apply.